

Tender specifications:

Base mat rolls

For fixing the PE-Xc pipes “Copex”, PE-RT pipes “Copert” and composition pipes “Copipe” sized 14 x 2, mm, 16 x 2 mm and 17 x 2 mm.

For pipe laying distances of 5, 10, 15, 20, 25, 30 cm.

With thermal and sound insulation made of expanded polystyrene (EPS), thermal conductivity group 045 for item no. 1402500/05/10/20 and 040 for item no. 1402507/15.

With laminated tissue foil.

Maximum load: 4 kN/m² for item no. 1402500/05/10/20
5 kN/m² for item no. 1402507/15

Dynamic stiffness:

- ≤ 15 MN/m³ for item no. 1402500/05
- ≤ 20 MN/m³ for item no. 1402507/10/20
- ≤ 30 MN/m³ for item no. 1402515

Building material class B2 according to DIN 4102

Foil overlap on one side, therefore suitable for concrete and liquid screed complying with standards.

Effective size of base mat roll: 10.00 m x 1.00 m = 10.00 m²

Packing unit: 1 roll per foil bag (= 10.00 m²)

Thickness	Thermal resistivity	Sound improvement	Item no.: (= 1 roll)
35 - 3 mm	R = 0.78 (m ² K/W)	29 dB	1402500
30 - 3 mm	R = 0.67 (m ² K/W)	29 dB	1402505
25 - 2 mm	R = 0.56 (m ² K/W)	28 dB	1402510
30 - 2 mm	R = 0.75 (m ² K/W)	28 dB	1402507
20 - 2 mm	R = 0.50 (m ² K/W)	26 dB	1402515
20 - 2 mm	R = 0.44 (m ² K/W)	28 dB	1402520

Folded boards

For fixing the PE-Xc pipes “Copex”, PE-RT pipes “Copert” and composition pipes “Copipe” sized 14 x 2, mm, 16 x 2 mm and 17 x 2 mm.

For pipe laying distances of 5, 10, 15, 20, 25, 30 cm.

With thermal and sound insulation made of expanded polystyrene (EPS), thermal conductivity group 045 for item no. 1402600/05/10/20 and 040 for item no. 1402607.

With laminated tissue foil.

Maximum load: 4 kN/m² for item no. 1402600/05/10/20
5 kN/m² for item no. 1402607

Dynamic stiffness:

- ≤ 15 MN/m³ for item no. 1402600/05
- ≤ 20 MN/m³ for item no. 1402607/10/20

Building material class B2 according to DIN 4102

Foil overlap on one side, therefore suitable for concrete and liquid screed complying with standards.

Effective size of folded board: 2.00 m x 1.00 m = 2.00 m² (folded)

Packing unit: 5 folded boards per foil bag (= 10.00 m²)

Thickness	Thermal resistivity	Sound improvement	Item no.: (= 1 board)
35 - 3 mm	R = 0.78 (m ² K/W)	29 dB	1402600
30 - 3 mm	R = 0.67 (m ² K/W)	29 dB	1402605
30 - 2 mm	R = 0.75 (m ² K/W)	28 dB	1402607
25 - 2 mm	R = 0.56 (m ² K/W)	28 dB	1402610
20 - 2 mm	R = 0.44 (m ² K/W)	28 dB	1402620

Function:

Base mat rolls and folded boards

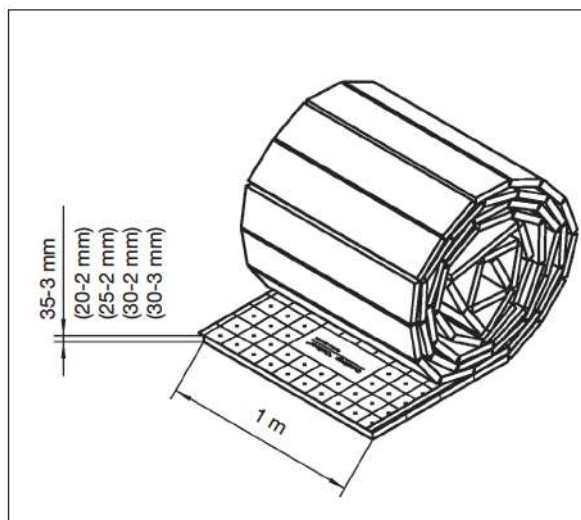
Combined with the tacker hooks, item no. 1402594, or the clamping rails, item no. 1402580 and 1402581, the base mat rolls and the folded boards guarantee a safe fixing of the “Copex”, “Copert” and “Copipe” pipes 14, 16 and 17 mm. Laying can be carried out by one person.

The printed grid pattern facilitates trimming of the lanes to be laid and serves to keep the laying distances when laying the pipe .

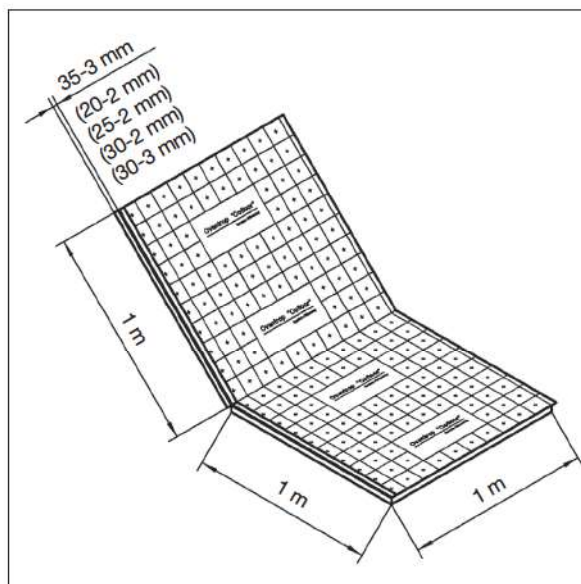
One longitudinal edge of the base mat roll/folded board has a foil overlap and the opposite edge is equipped with an adhesive tape.

The overlaps bonded this way and the linings bonded with adhesive tape prevent the penetration of water into the insulation layer.

Due to the high thermal resistivity of the base mat roll/folded board with a thickness of 35-3 mm (item no. 1402500 and 1402600), an additional insulation between identically heated rooms is not necessary.



Dimensions base mat roll



Dimensions folded board